

TIEREN G-5系列织机



TIEREN
IR 广东铁人智能科技有限公司
GUANGDONG TIEREN INTELLIGENT TECHNOLOGY CO., LTD.
佛山市南海区丹灶镇良登工业区8号厂房A区之二(住所申报)
Factory Building A.No.8.Liandeng Industrial Zone, Danzao Town,Nanhai District,Foshan City,China



www.tirlooms.com



广东铁人智能科技有限公司
GUANGDONG TIEREN INTELLIGENT TECHNOLOGY CO., LTD.

公司简介 CORPORATE PROFILE

广东铁人智能科技有限公司，位于广东省佛山市南海区丹灶镇，占地面积约20000平方米，是一家集研发、生产、销售一体的纺织机械企业。成熟的生产技术、现代化的生产设备、专业化的管理团队和经验丰富的工程师、技术员让其声誉响彻海内外，深受广大客户的夸赞和喜爱。品控严格遵守国际纺织机械质量标准，拥有完善的质量管理体系，确保机器从原材料采购到生产、出机的每一个环节都符合质量标准。

主要产品有高速剑杆织机G-5平机系列、G-5提花系列、G-5工业织机系列、G-5上下双经轴系列，规格从190cm~620cm等，这些产品以精湛的工艺、卓越的性能和可靠的质量在市场上备受赞誉。

在研发方面，我们持续投入，与科研机构紧密合作，不断探索新技术、新材料和新设计理念，以满足客户日益多样化和个性化的需求。同时，我们严格遵守国际质量标准，建立了完善的质量管理体系，从原材料采购到生产加工的每一个环节都进行严格的质量把控，确保每一台出厂设备都符合高质量要求。

以客户为中心，不仅提供优质的产品，还提供全方位的售后服务。拥有专业的售后团队，能够及时响应客户需求，为客户提供设备安装调试、维修保养、技术培训等一站式服务，让客户无后顾之忧。

广东铁人智能科技有限公司凭借优质的产品和服务，赢得了国内外众多客户的信任和支持，公司业务遍及全国、南亚、中亚和东南亚等国家。未来，我们将继续秉承“创新、品质、服务”的经营理念，不断开拓进取，致力于成为全球领先的机械设备供应商。

欢迎海内外客户莅临视察，洽谈业务。

Guangdong Tieren Intelligent Technology Co., Ltd, located in Danzao Town, Nanhai District, Foshan City, Guangdong Province, covering an area of about 20,000 square meters, is a textile machinery enterprise integrating research and development, production and sales. Mature production technology, modern production equipment, professional management team and experienced engineers and technicians make its reputation resound at home and abroad, praised and loved by customers. Quality control strictly abide by the international textile machinery quality standards, with a perfect quality management system, to ensure that the machine from the procurement of raw materials to production, out of the machine every step of the quality standards.

The main products include high-speed rapier loom G-5 flat series, G-5 jacquard series, G-5 industrial loom series, G-5 upper and lower double warp beam series, with specifications ranging from 190cm to 620cm, etc. These products are highly praised in the market for their exquisite craftsmanship, excellent performance and reliable quality.

In terms of research and development, we continue to invest and work closely with scientific research institutions to explore new technologies, materials and design concepts in order to meet the increasingly diversified and individualized needs of our customers. At the same time, we strictly abide by international quality standards and have established a perfect quality management system, with strict quality control at every stage from raw material purchasing to production and processing, to ensure that each piece of factory equipment meets the high-quality requirements.

Customer-oriented, not only to provide quality products, but also to provide a full range of after-sales service. With a professional after-sales team, we are able to respond to customer needs in a timely manner, provides customers with one-stop services such as equipment installation and commissioning, maintenance, technical training, etc., so that customers have no worries.



行业标准
CORPORATE PROFILE



成熟的生产技术、现代化的生产设备、专业化的管理团队和经验丰富的工程师、技术员让其声誉响彻海内外，深受广大客户的夸赞和喜爱。品控严格遵守国际纺织机械质量标准，拥有完善的质量管理体系，确保机器从原材料采购到生产、出机的每一个环节都符合质量标准。

Mature production technology, modern production equipment, professional management team and experienced engineers and technicians make its reputation resound at home and abroad, and it is highly praised and loved by customers. The quality control strictly observes the international textile machinery quality standards, and has a perfect quality management system to ensure that the machines comply with the quality standards in every step from raw material procurement to production and machine output.



TIEREN **G-5-T** 系列提花机
G-5-T SERIES JACQUARD LOOMS

纬纱架
Bobbin Rack

储纬器
Accumulator

数控显示屏
Display

伺服电机
Servo Motor

卷布辊
Cloth Roller

控制面板
Control Panel

大提花龙头
Jacquard Head

电控箱
Power Box

传剑箱
Drive

超级马达
Main Motor



G-5-2J 系列天地轴织机

G-5 SERIES RAPIER LOOMS



G-5 系列剑杆织机

G-5 SERIES RAPIER LOOMS



适合生产织物

SUITABLE FOR PRODUCTION OF FABRICS

铁人织机适用于生产不同种类布料，如：牛仔布、服装面料、工业布、窗帘布、沙发布、纱丽、安全气囊、织唛章、鞋面布等各种大提花布。

Suitable for production of fabrics

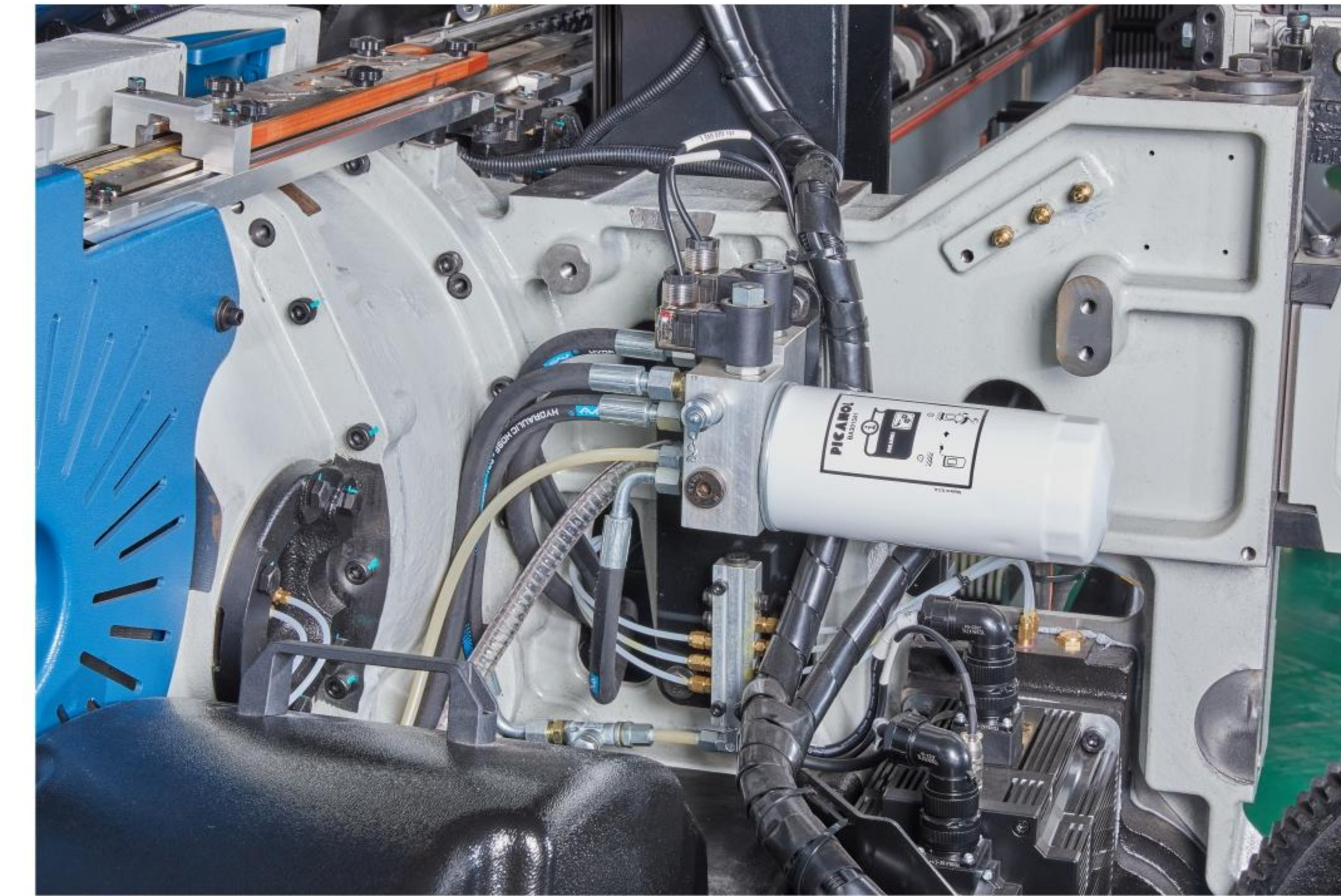
Tieren loom is suitable for producing different kinds of fabrics, such as: denim, garment fabrics, industrial fabrics, curtain fabrics, sofa fabrics, sari, airbags fabrics, embroidered patch, shoe fabrics and other kinds of jacquard fabrics.



性能/效率

PERFORMANCE / EFFICIENCY

01



润滑系统

Lubrication System

- 全封闭中央供油循环系统，能有效给每一个润滑点分配不同的油量。
- 水冷却装置可根据油温开启，使油温始终保持合适的工作温度。
- Central Lubrication System, which effectively distributes different amounts of oil to each lubrication point.
- The water cooling device can be activated based on oil temperature, ensuring the oil temperature remains at an optimal working level.

02

电子送经系统

Electronic Let-Off System

- 适用经轴直径800mm、1000mm。
- 伺服电机驱动，更能保持设定的张力。
- 快速更换经轴装置，操作简便快捷。
- Suitable for warp beam diameters of 800mm and 1000mm.
- Servo motor drive ensures better maintenance of the set tension.
- Quick beam changing device, simple and fast operation.



TIEREN G-5

通用性 VERSATILITY



03

打纬系统

Beating-up System

- 采用中央打纬结构，打纬力度分布均匀。
- 箝臂使用铝镁合金锻造工艺，密度高、刚性强、重量轻。
- 优化打纬凸轮曲线，减小机台震动。
- Centralized beating-up structure ensures uniform distribution of beating force.
- Reed arms are manufactured using aluminum-magnesium alloy forging technology, offering high density, excellent strength, and lightweight properties.
- Optimized beating-up cam curve reduces machine vibration.

电子卷取系统

Electronic Take-Up System

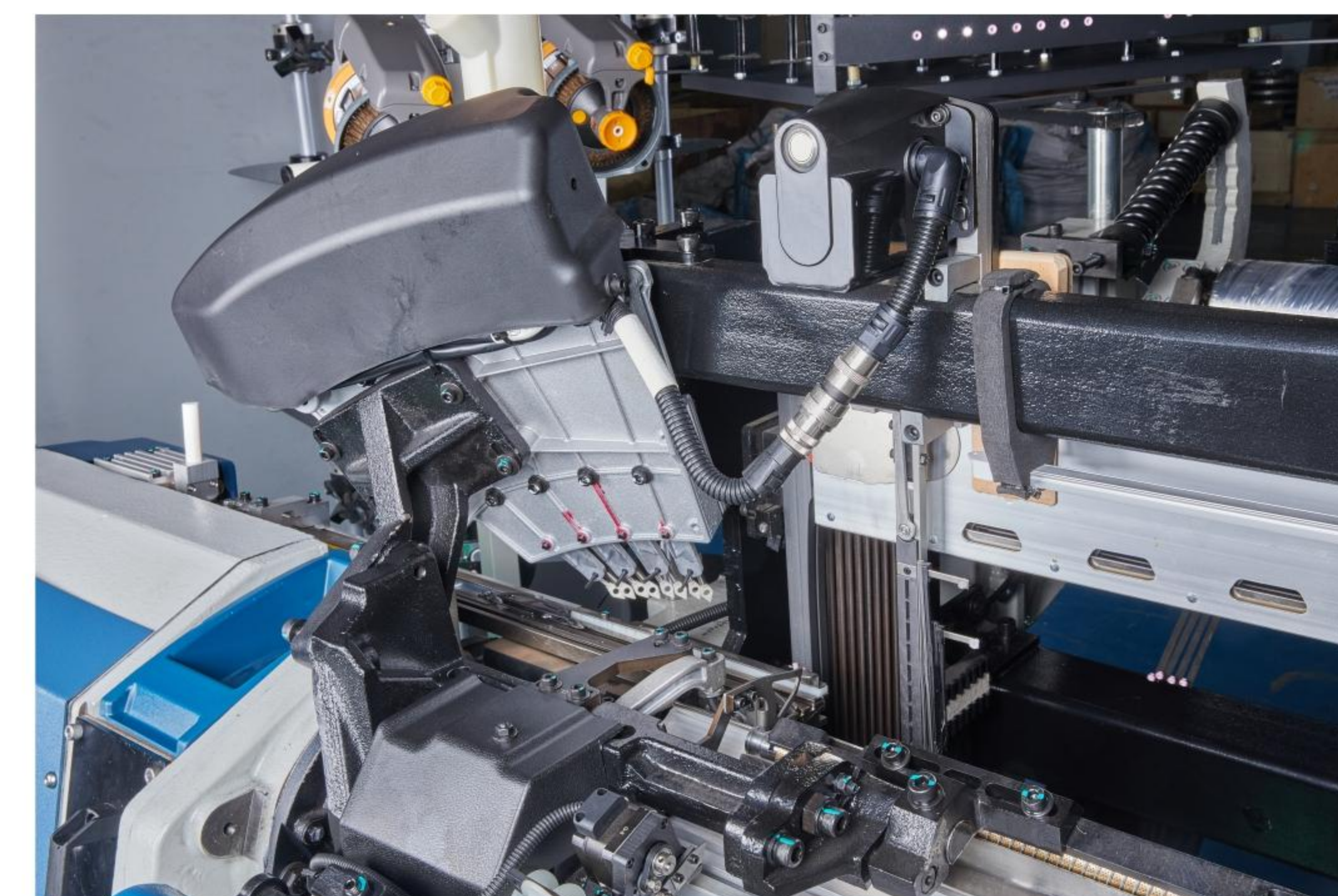
- 新型伺服电机搭载精密型减速装置，完美避开停车档。
- 可选配机外大卷装。
- New servo motor equipped with a precision reduction device perfectly avoids the parking position.
- Optional external batching motion is available.

04



TIEREN G-5

环保设计 GREEN DESIGN



05

选纬和锁边机构均采用步进电机驱动，结构简单响应速度快

Both the weft selection and edge locking mechanisms are driven by stepper motors, featuring simple structure and fast response speed.

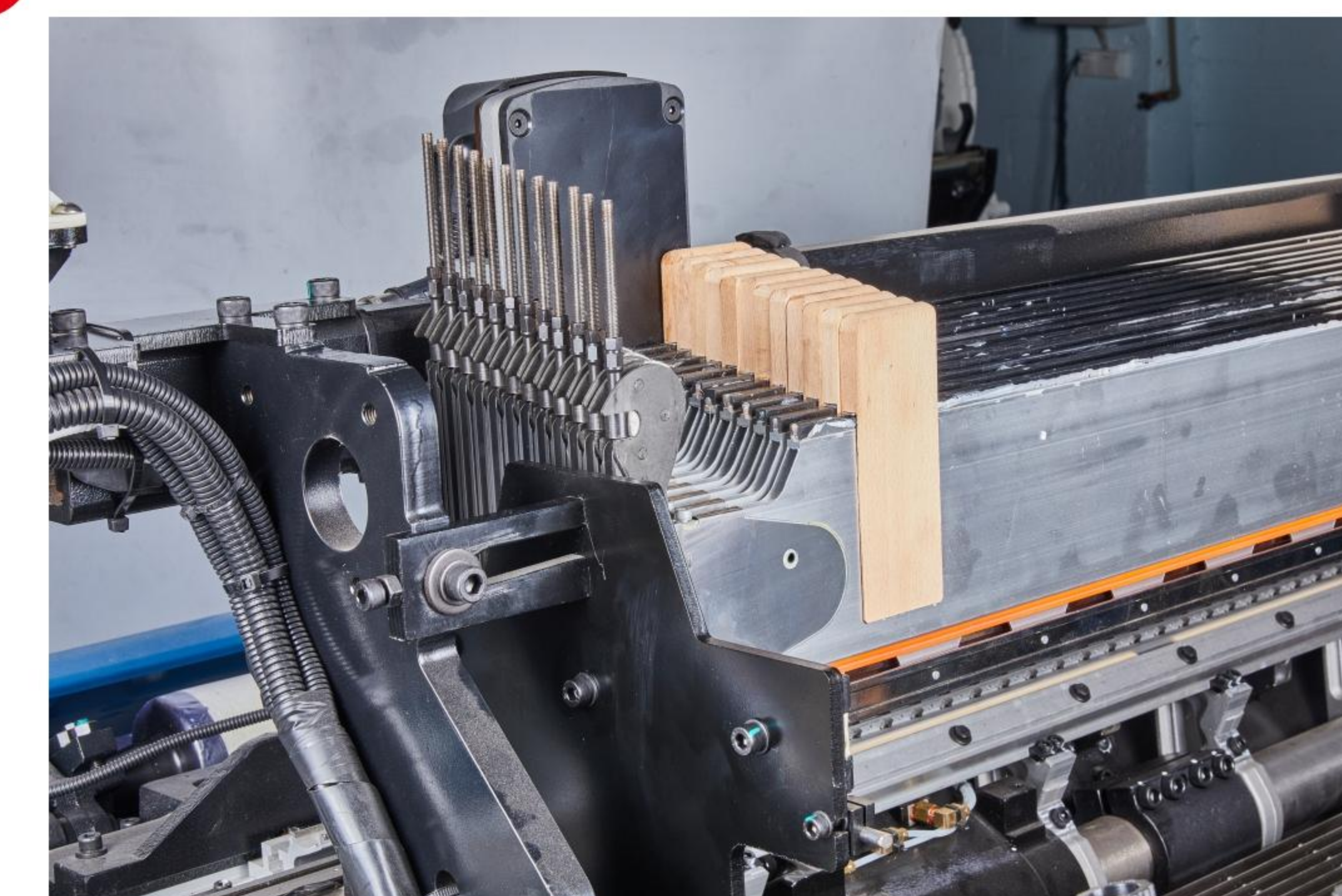
- 选纬机构提供4~12色自由搭配，满足不同品种的需求。
- The weft selection mechanism offers 4 to 12 color combinations, meeting the needs of different fabric varieties.

开口机构

Shedding System

- 上挂式开口机构，调节综框时轻松简便。
- The overhead shedding system allows for easy and convenient adjustment of the heald frames.

06



TIEREN G-5

高质量 FABRIC QUALITY



07

动力机构

Drive System

- 磁阻电机直驱，起动迅速达到设定速度。
 - 取消了风叶冷却，电机外壳采用循环油冷，散热效果更佳。
 - 磁阻电机比传统电机节能25~30%。
- Direct drive by reluctance motor, enabling rapid startup to reach the set speed.
 - Eliminated fan cooling, with the motor housing adopting circulating oil cooling for better heat dissipation.
 - The reluctance motor saves 25-30% more energy compared to traditional motors.

LED一体式按键盒(专利产品)美观实用

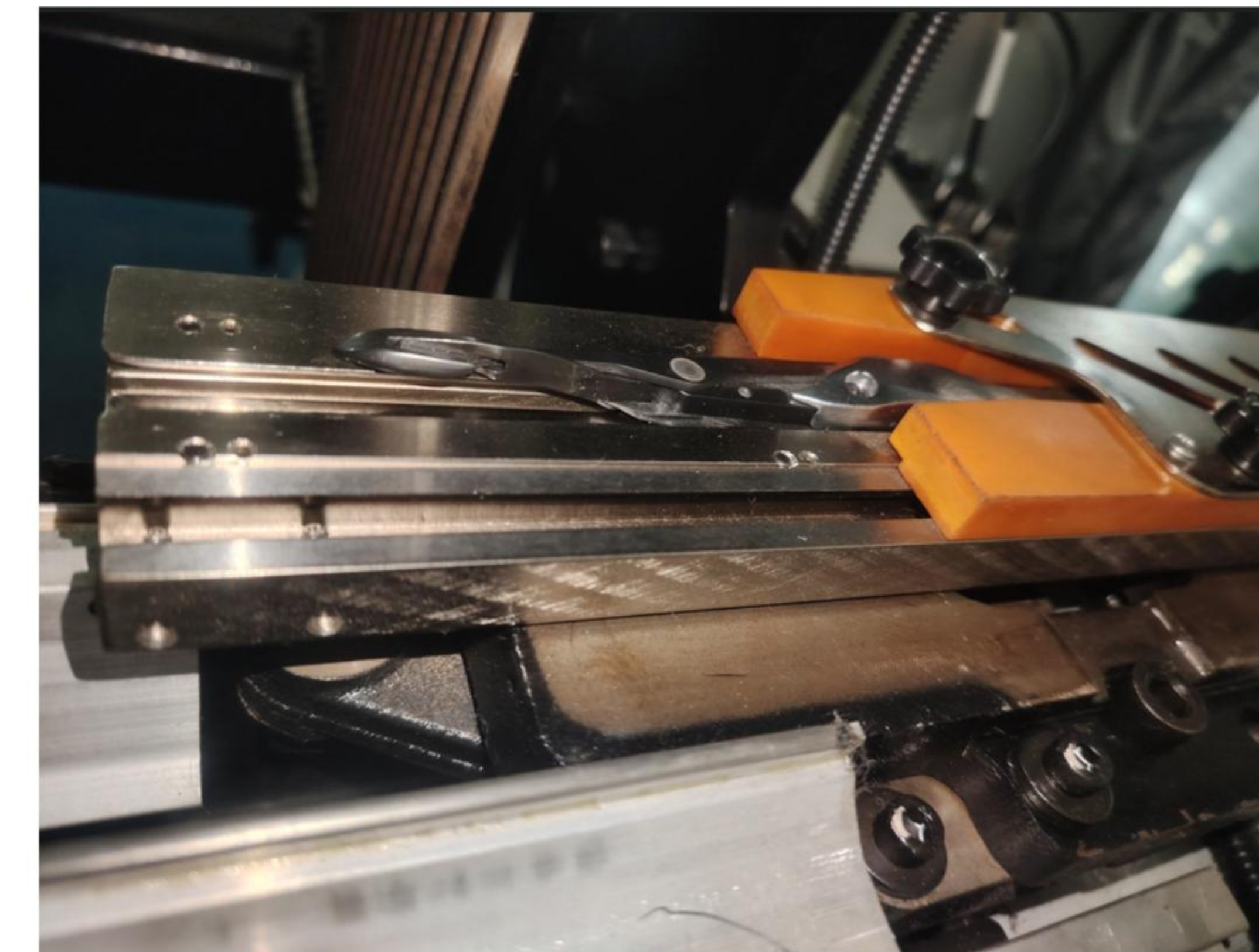
- LED One-piece Button Box (patented product) beautiful and practical

08



TIEREN G-5

能源节约 SAVING



09

- 全钢质导轨、直线度高、剑带损耗少、刚性强
- Full Steel Guide Rails, High straightness, Reduced type wear, and strong rigidity.

梭道可选导钩和无导钩两种方案

Shuttle Channel Options:
With or Without Guide Hooks

- 有导钩适用于织造短纤维加捻精细纱，织造速度快稳定性强。
 - 无导钩适用织造纱丽，杜帕塔等精致面料，减小经纱摩擦，提高产品质量。
- The guide hook option is suitable for weaving short fibers and fine yarns, offering high speed and strong stability.
 - The guide hook-free option is suitable for weaving delicate fabrics like sarees and dupattas, reducing warp friction and improving product quality.

10



TIEREN G-5

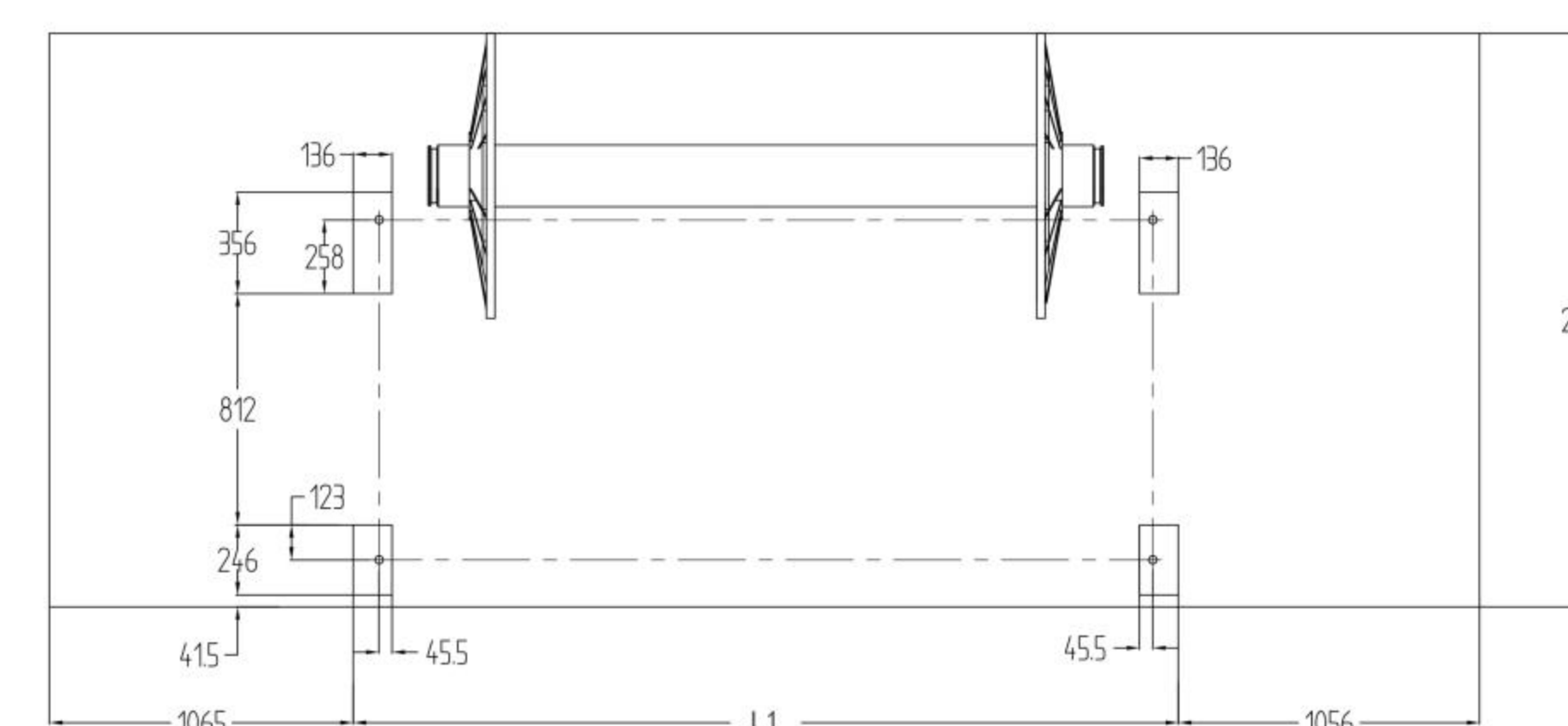
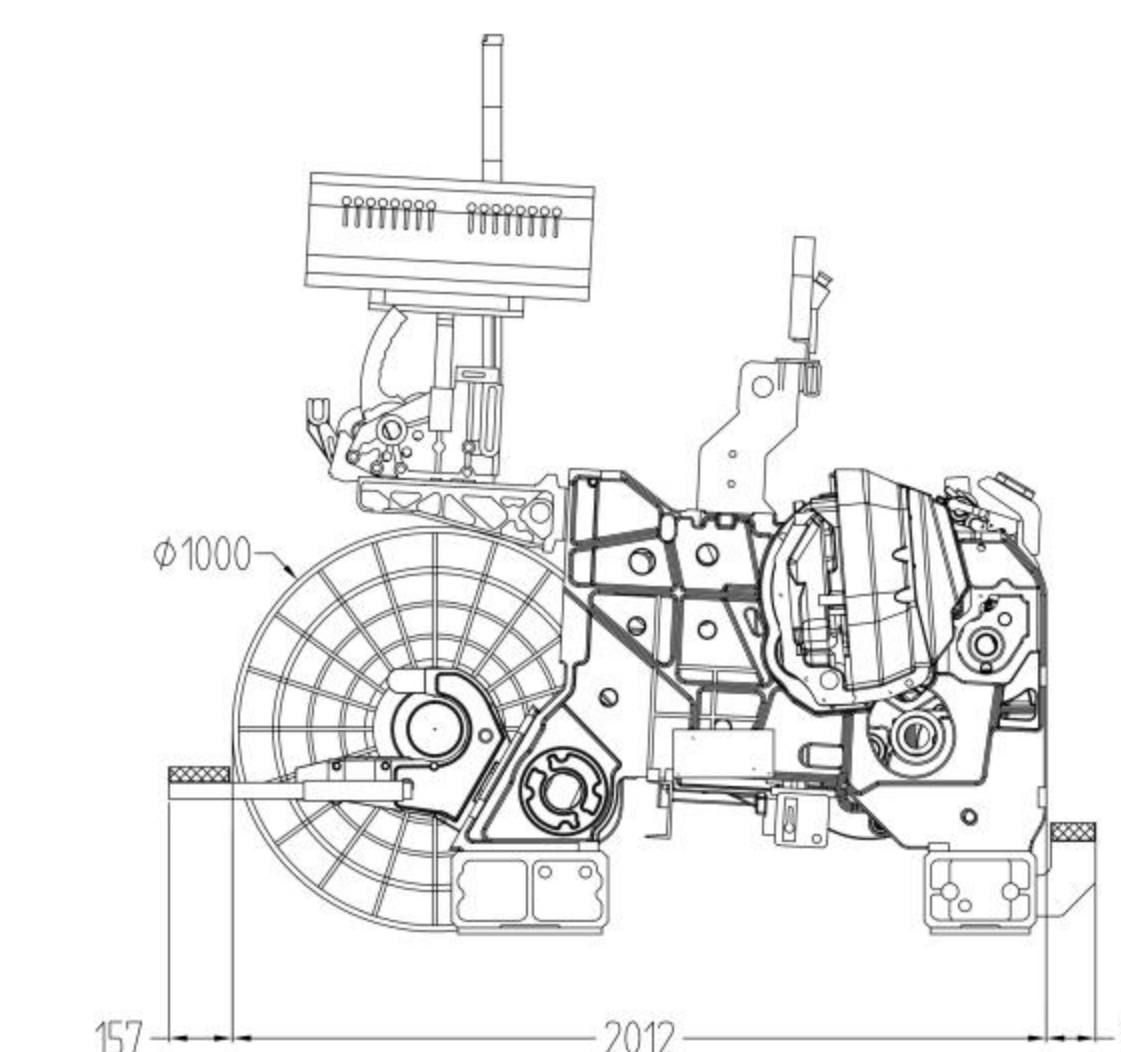
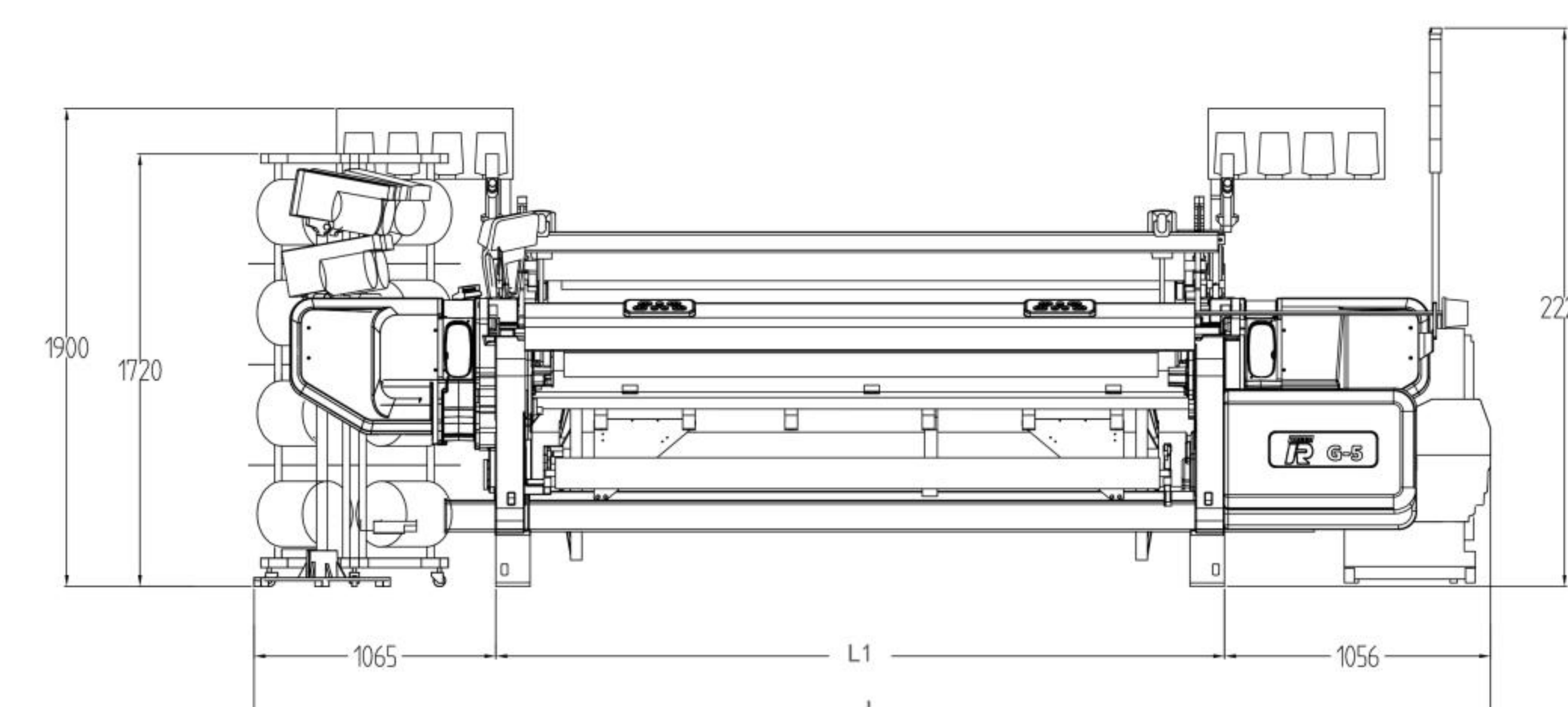
■ 技术规格及参数

Technical Specification and Data

项目	规格	ITEM	SPECIFICATION
织机幅宽	可用幅宽:190cm-540cm	Working Width	Usable Reed width:190-540cm
减幅	对称或非对称减幅:100cm	Reduced Width	Symmetrical or asymmetrical reduction: 100cm
适应纤维种类	短纤维为:Nm200-Nm3(Ne 120-Ne 1.8) 长丝:22 den-4000 den(25 dtex-4500 dtex)	Fabric Type	Staple Fiber: Nm200-Nm3(Ne 120-Ne 1.8) Filament:22 den-4000 den(25 dtex-4500 dtex)
经纱	上浆纱, 不上浆纱, 加捻纱, 无捻纱, 混合纱等	Warp Yarn	Sizing Yarn, No Sizing Yarn, Twisted Yarn, Untwisted Yarn, Mixed Yarn, etc...
选色	步进电机控制旋转式高速选纬器4、6、8色	Color Selection	Stepper Motor Control Rotary High Speed Weft Selector supports 4,6,8 colors
布边	步进电机控制旋转式电子绞边	Selvedge	Stepper Motor Controlled Rotary Electronic Hemming
送经机构	交流伺服电机送经	Let-off	Stepper Motor Control Rotary High Speed Weft Selector supports 4,6,8 colors
边盘直径	600、800、1000mm	Warp Beam Dia	600mm、800mm、1000mm
后梁	双辊通用型	Back Beam	Double Back Beams
停经装置	6列电子停经杆, 节距为16或30mm	Warp Stop Device	6-Row Electronic Warp Stop Motion with 16 or 30mm pitch
卷取机构	交流伺服电机卷取	Take-up Device	AC Servo Motor Take-up
开口机构	下置式旋转式电子多臂(最多可配20片)	Shedding Motion	Downward Rotating Electronic Dobby (Maximum Lever up to 20pcs)
主电机	超级马达(磁阻电机)	Main Motor	Super Motor (Reluctance Motor)
织机速度	200-600rpm	Loom Speed	200-600rpm

■ 外形尺寸图

Overall Dimension Drawing



■ 织机尺寸

Loom Dimensions

门幅 / Reed Width	L1	L
190cm	2494mm	4615mm
230cm	2894mm	5015mm
240cm	2994mm	5115mm
250cm	3094mm	5215mm
280cm	3294mm	5415mm
340cm	3894mm	6015mm
360cm	4094mm	6215mm
380cm	4294mm	6415mm
460cm	5094mm	7215mm
540cm	5894mm	8015mm